






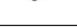


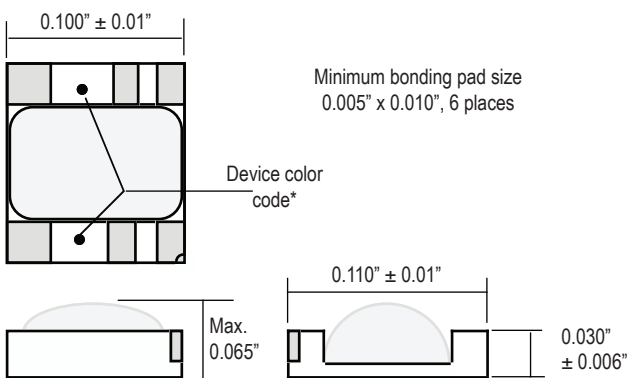
## Package Selection Guide

Isolink offers a variety of package types, shown in Table 1, followed by package outline drawings. Our package selection includes the OLI miniature series specially designed for hybrid applications, shown in Figures 1 and 2, the 8-pin flat pack, shown in Figure 3, the OLH hermetic series in TO-5, shown in Figure 4, the OLS miniature / leadless chip carrier (LCC) hermetic surface mount, shown in Figures 5–7, and the OLF hermetic surface mount and the sidebraced DIP, shown in Figure 8.

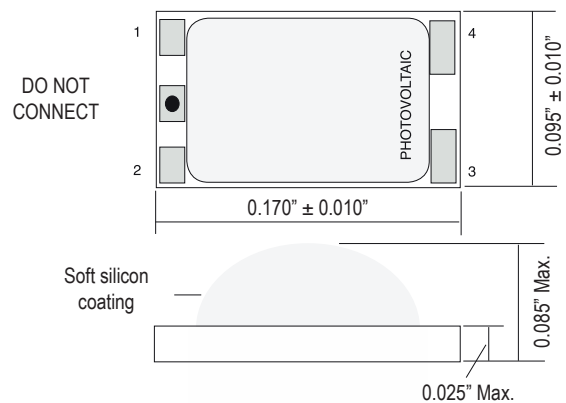
**Table 1. Package Selection Guide**

Package Type	Actual Size	Package Dimension (inch)
6-Lead Ceramic Carrier Chp for Hybrid Assembly		0.1 x 0.11 x 0.65
4-Lead Ceramic Carrier Chp for Hybrid Assembly		0.170 x 0.095 x 0.085
8-Lead Hermetic Ceramic Flat		0.18 x 0.18 x 0.10
6-Lead Hermetic TO-5		0.200 x 0.302 x 0.745
4-Lead Ceramic LCC		0.225 x 0.155 x 0.075
6-Lead Hermetic Ceramic LCC		0.245 x 0.170 x 0.08
8-Lead Hermetic Ceramic LCC		0.245 x 0.170 x 0.08
8-Lead Hermetic Dip		0.39 x 0.32 x 0.15

## Outline Drawings



**Figure 1. 6-Lead Ceramic Carrier Chip for Hybrid Assembly**



**Figure 2. 4-Lead Ceramic Carrier Chip for Hybrid Assembly**

### Outline Drawings (Continued)

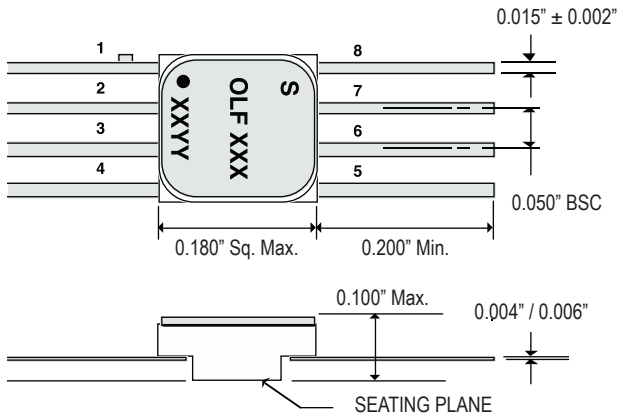


Figure 3. 8-Lead Hermetic Ceramic Flat

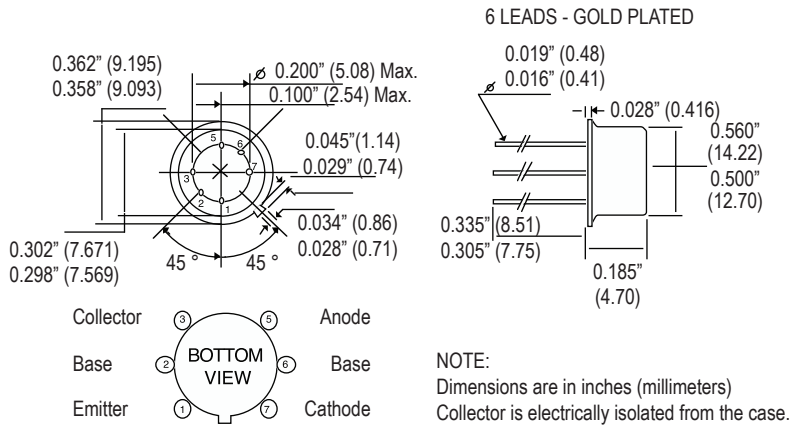


Figure 4. 6-Lead Hermetic TO-5

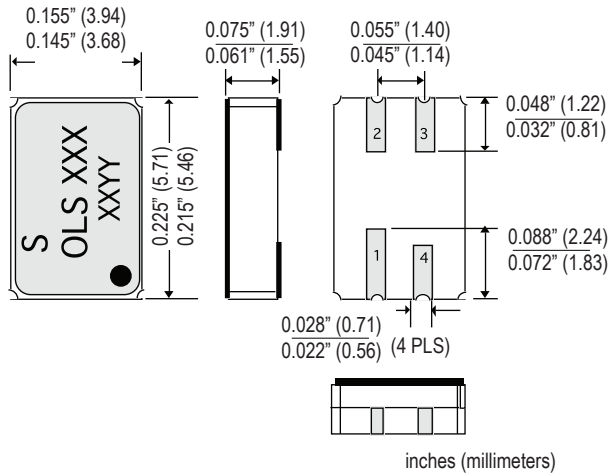


Figure 5. 4-Lead Ceramic LLC

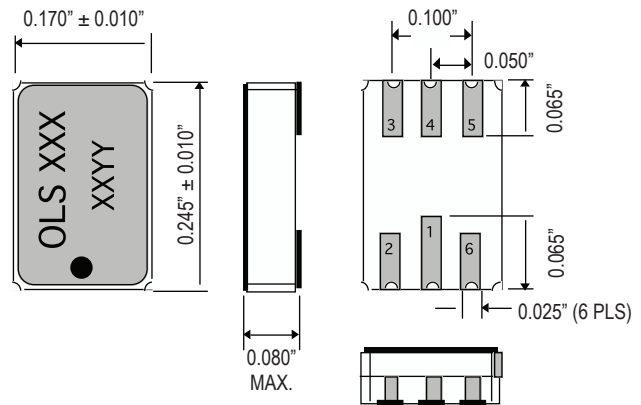


Figure 6. 6-Lead Hermetic Ceramic LLC

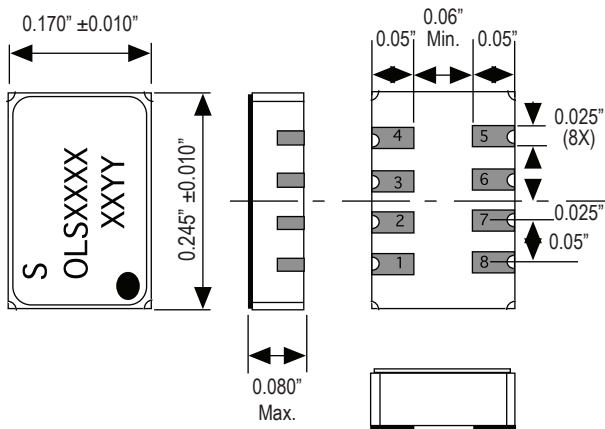


Figure 7. 8-Lead Hermetic Ceramic LLC

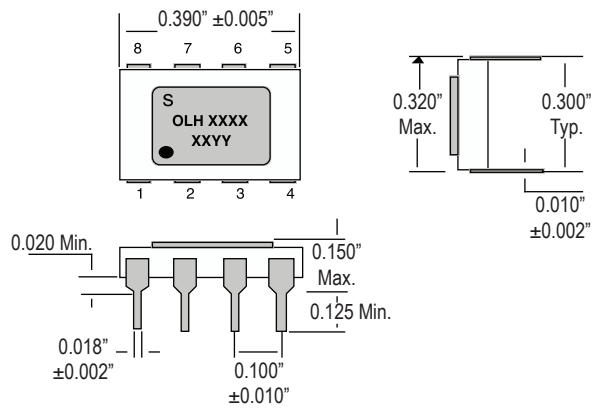


Figure 8. 8-Lead Hermetic Dip

**Isolink, Inc.**

880 Yosemite Way, Milpitas, CA 95035  
 Phone: (408) 946-1968 • Fax: (408) 946-1960  
 Email: sales@isolink.com • [www.isolink.com](http://www.isolink.com)